



OUTAGE powered by the *Midnight Mustangs*

2021 NEXT Robotics

# Field Manual



# CONTENTS

1 Field Overview .....3

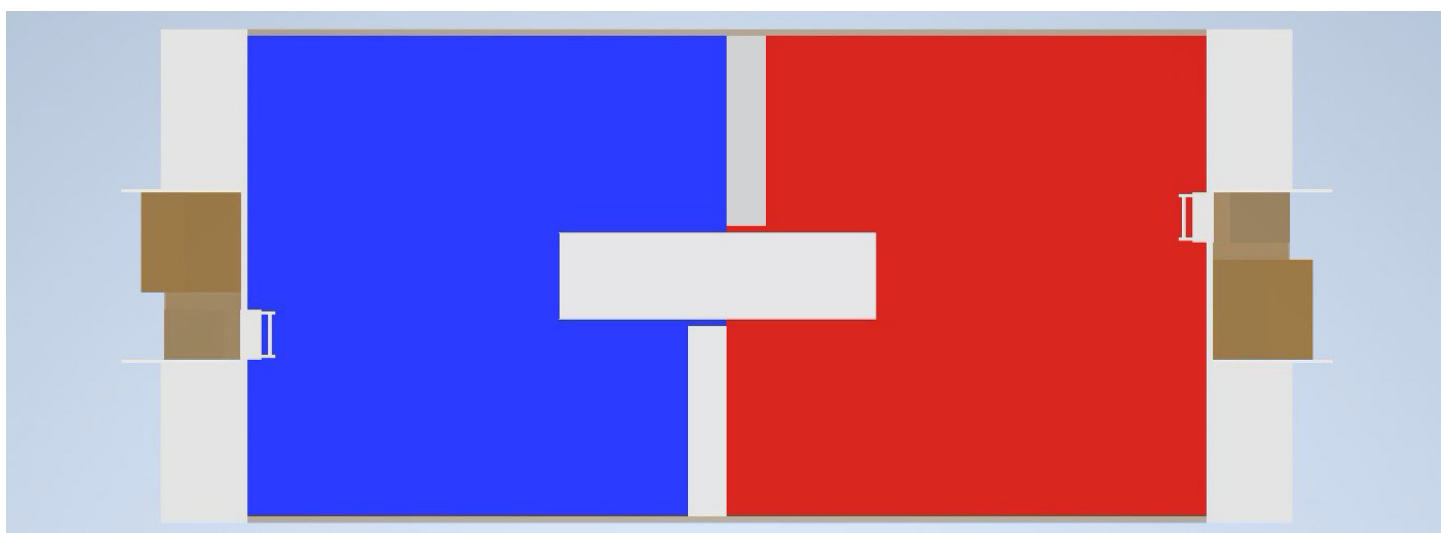
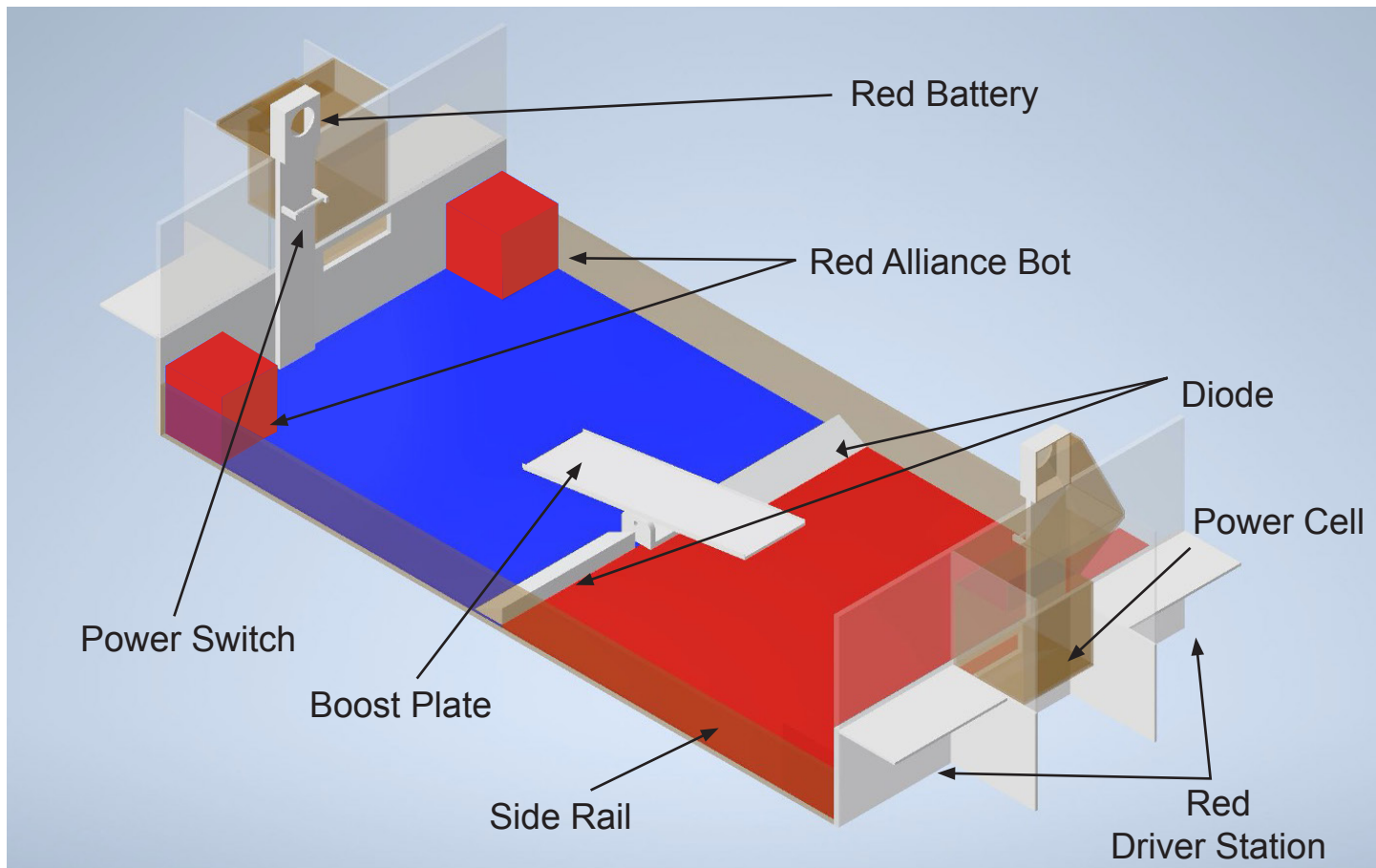
2. Field Elements .....4

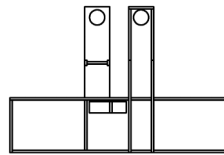
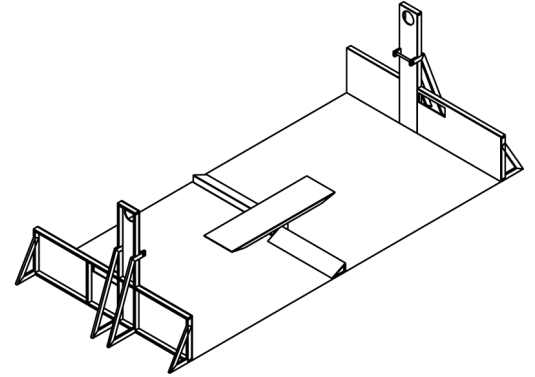
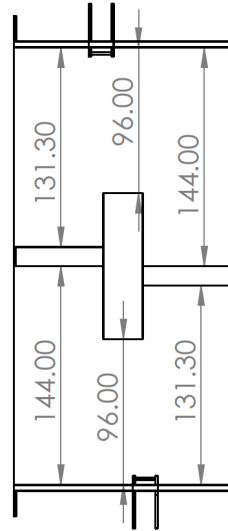
    2.1 Drive Station .....5

    2.2 Boost Plate .....6

    2.3 Diode .....7

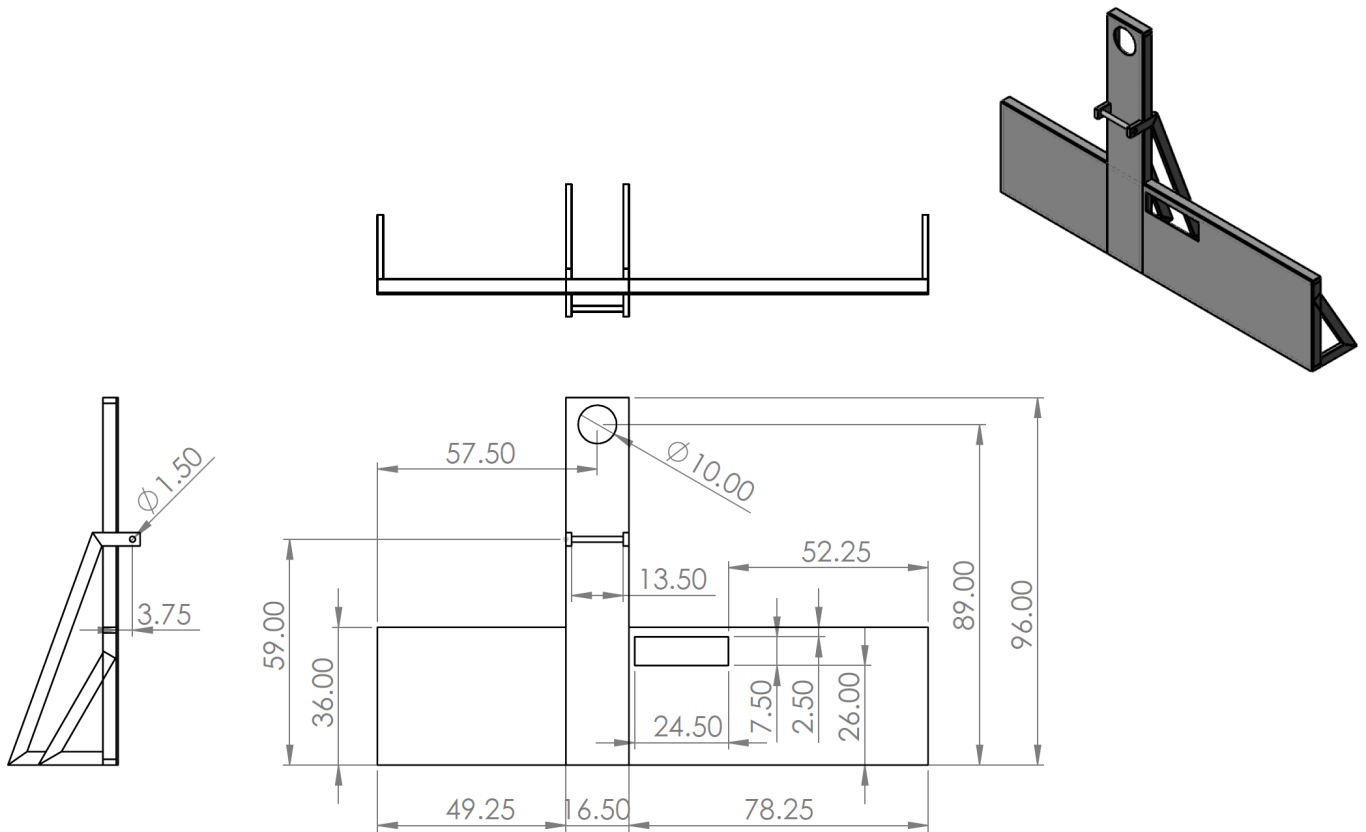
## FIELD OVERVIEW



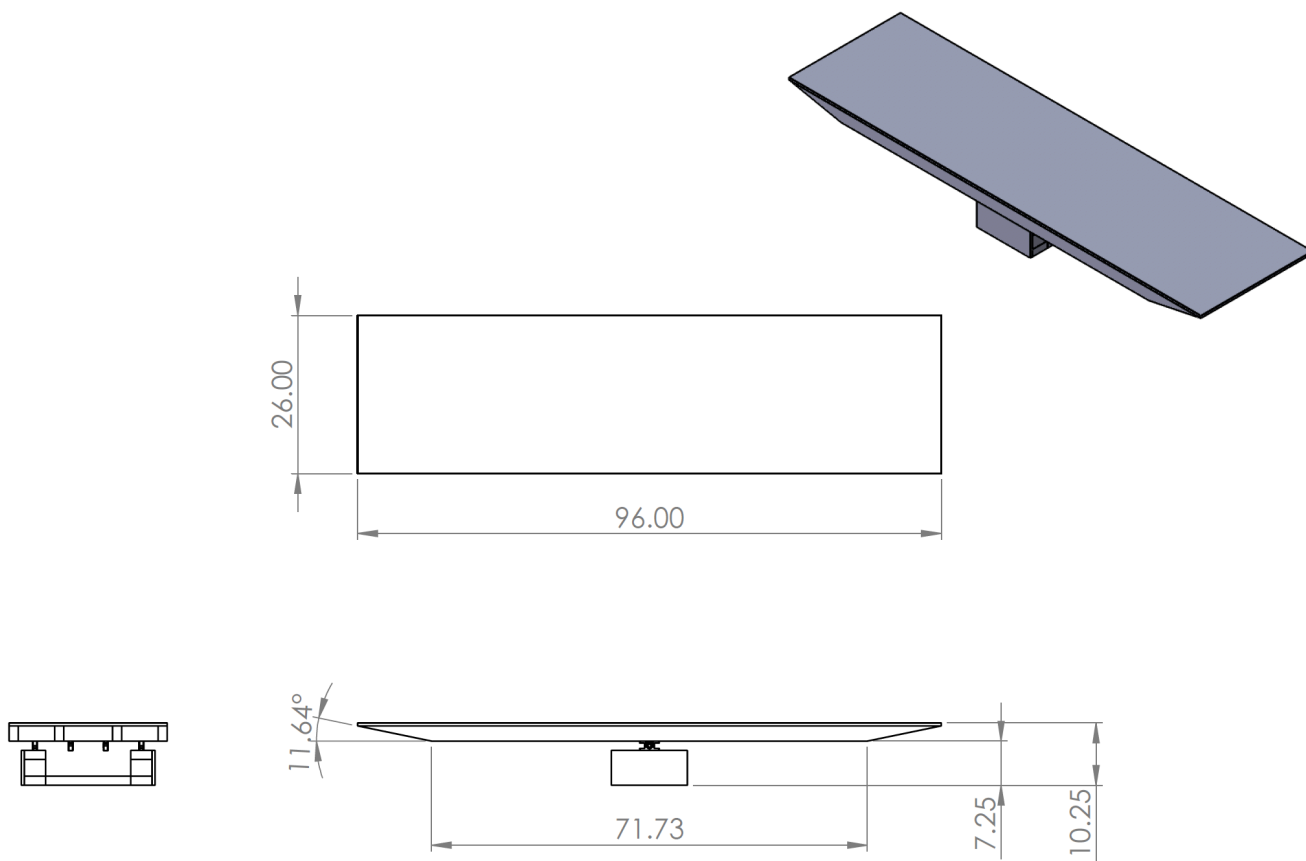


# FIELD ELEMENTS

## 2.1 DRIVE STATION



## 2.2 BOOST PLATE



## 2.3 DIODE

